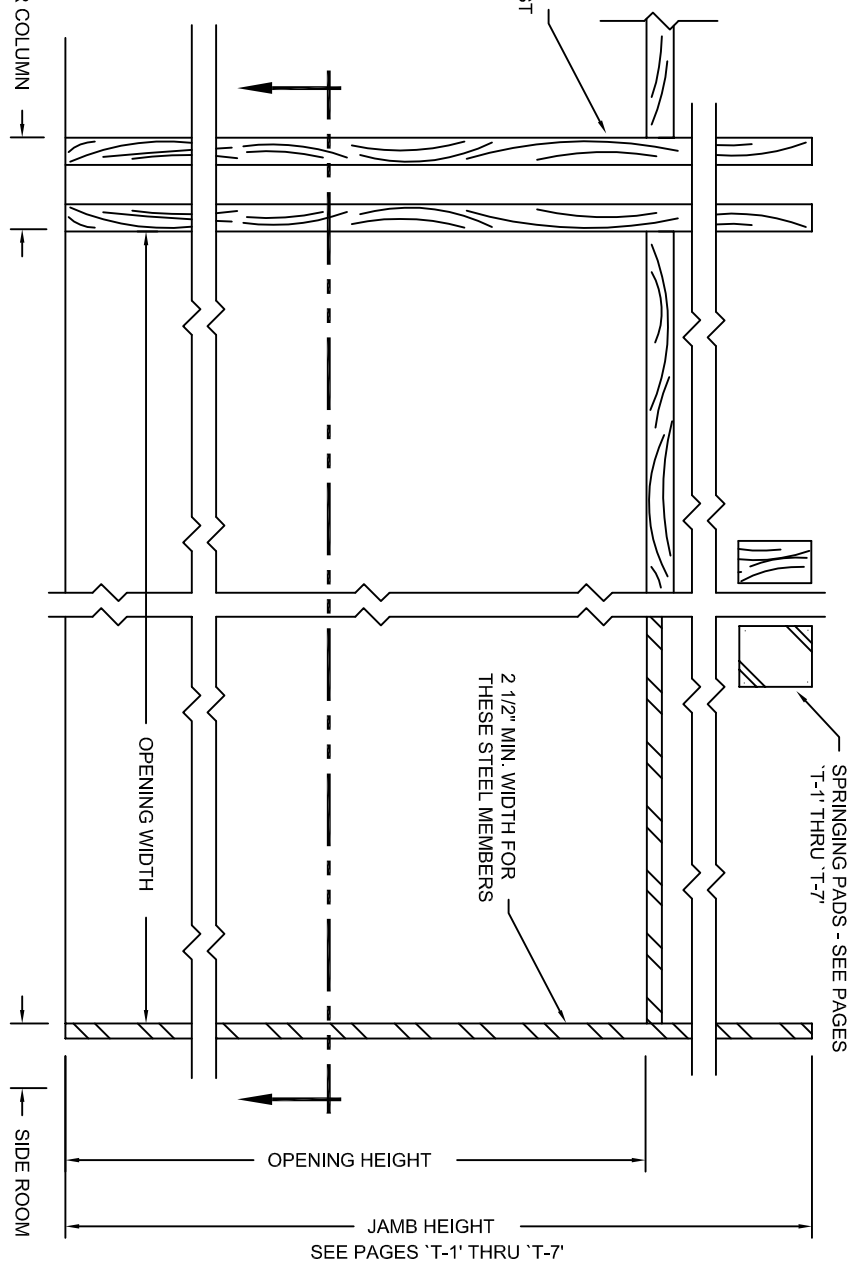


JAMB PREPARATION:

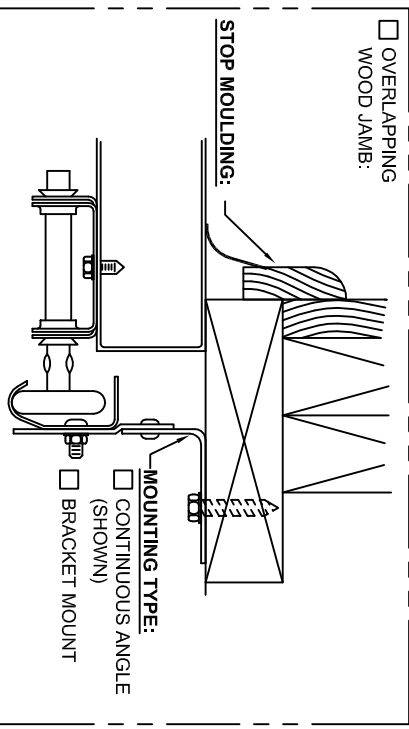
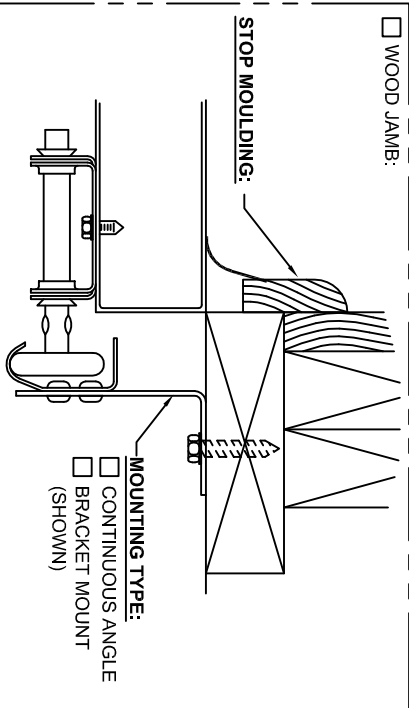
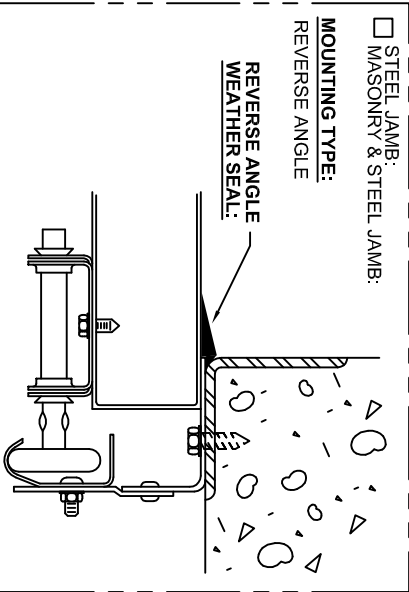
NOTE: ALL FRAMING MEMBERS AND SPRINGING PADS PROVIDED BY OTHERS

JAMBS AND HEADERS OF 2" x 6" LUMBER: ALL BOLTS HEADS MUST BE FLUSH.



SIDEROOM & CENTER POST REQUIREMENTS

2" TRACK		3" TRACK	
WOOD JAMBS			
SIDE ROOM	CENTER COLUMN	SIDE ROOM	CENTER COLUMN
4 1/2"	9"	4 1/2"	9"
WOOD JAMBS			
SIDE ROOM	CENTER COLUMN	SIDE ROOM	CENTER COLUMN
5 1/2"	11"	5 1/2"	11"
STEEL JAMBS			
SIDE ROOM	CENTER COLUMN	SIDE ROOM	CENTER COLUMN
20"	26"	11 1/2"	16"



CUST: _____
 JOB: _____
 ARCH: _____
 CONT: _____

JAMB MATERIAL: _____
 OPENING SIZE: _____" W x _____" H
 DOOR SIZE: _____" W x _____" H

TRACK SIZE: _____
 SIDE ROOM: _____
 CENTER COLUMN: _____

MOUNTING TYPE: _____
 WEATHER SEAL: _____
SHEET 'J-1'
 DATE: _____
 BID #: _____
 PAGE _____ of _____